

PROTECT IT,
BECAUSE WE HAVE ONLY ONE EARTH!

环保，因为我们只有一个地球！



WOKING
沙污净环保

WASTE WATER TREATMENT PLANT

污水处理工程产品手册



Protect It,
Because We Have Only One Earth!
环保，因为我们只有一个地球！

佛山市沙污净环保科技有限公司
WOKING ENVIRONMENTAL TECHNOLOGY CO.,LTD



工厂地址 Add:

广东省佛山市南海区狮山镇兴业西路7号
NO.7 XingYe West Road, Shishan Town, Nanhai District, Foshan City,GuangDong, China



电话 MP / WHATSAPP / WECHAT:

0757-81797286 / 0086-13927299670 / 0086-18675741520



邮箱 E-mail:

duan@wokinget.com / woking.zhang@hotmail.com



网址 Web:

www.wokinget.com / www.swjhb.com

佛山市沙污净环保科技有限公司
WOKING ENVIRONMENTAL TECHNOLOGY CO.,LTD



目录

Catalogue

Protect it,
Because We Have Only One Earth
环保, 因为我们只有一个地球

- 02 企业简介
Company Profile
- 03-04 企业文化
Corporate Culture
- 05-14 塔式污水处理系统
Vertical Clarifier
 - 05-06 系统简介
Introduction
 - 07-08 紧凑型污水处理系统
Compact Vertical Clarifier
 - 09-11 中型塔式污水处理系统
Medium Scale Vertical Clarifier
 - 12-14 大型塔式污水处理系统
Large Scale Vertical Clarifier
- 15-20 斜管式沉淀系统
Lamellar Clarifier
- 21-24 高效浓密机
High Efficiency Thickeners
- 25 池式系统 (移动桥架)
Pool System (Full Automatic Type)
- 26-27 石英砂过滤
Quartz Sand Filtration
- 28-30 辅机系列
Auxiliary Machine Series



WOKING ENVIRONMENTAL

企业简介 Company Profile

佛山市沙污净环保科技有限公司是一家国际领先的环保技术解决方案制造商, 专注于压滤机、真空过滤器、污水处理系统、除尘器等环保设备的设计, 研发, 生产, 销售及交钥匙工程服务。我们公司位于中国广东佛山, 我们在生产符合最高标准的性能和可靠性的高质量产品方面享有很好的市场口碑。

我们所有的产品都经过严格认真的质检及测试, 确保符合质量和安全的高标准。除了致力于生产高质量的产品外, 我们还通过我们经验丰富、素质优良的工程师团队提供专业的安装调试服务。

我们致力于帮助我们的客户找到最合适的解决方案, 满足他们的生产及环境的需求。无论您是在寻找压滤机、真空过滤器、污水处理系统, 还是除尘器, 我们的专业知识和资源都能帮助您找到最适合您特定需求的产品。



WOKING ENVIRONMENTAL TECHNOLOGY CO., LTD is a leading manufacturer of environmental technology solutions, with a focus on filter presses, vacuum disc filters, waste water treatment systems, water filters, and dust collectors. Our company is located in Foshan, Guangdong, China, and we have a strong reputation for producing top-quality products that meet the highest standards of performance and reliability.

All of our products undergo rigorous testing to meet the highest standards of quality and safety. In addition to our commitment to producing high-quality products, we also offer professional installation services through our team of experienced and knowledgeable engineers.

At WOKING ENVIRONMENTAL TECHNOLOGY CO., LTD, we are dedicated to helping our clients find the best solutions for their production and environmental technology needs. Whether you are looking for a filter press, vacuum filter, waste water treatment system, or dust collector, we have the expertise and resources to help you find the perfect fit for your specific needs.



地球上的最后一滴水，

The last drop of Water on Earth

Human Tears 将是人类的眼泪



A Drop Of Water Is

All That A Thirsty Man Needs

口渴的人只要一滴水就够了



WOKING
沙污净环保

塔式污水处理系统

Vertical Clarifier

系统简介 Introduction



污水汇流到污水池，通过污水泵抽送到污水塔，同时加药机把药剂与自来水按比例配制好后由计量泵定量注入污水管，随同污水送入污水塔。悬浮液在塔内分层，上层清水溢流到清水池，下层污水（泥）间歇排放到污泥池。污泥池内污泥经搅拌均匀后由污泥泵抽送到压滤机过滤，脱水形成泥饼。

The waste water flows into the waste water pool and is pumped to the sedimentation silo by the waste water pump. At the same time, the dosing machine prepares the flocculant and tap water in proportion, and then the metering pump quantitatively injects it into the waste water pipe, and sends it into the sedimentation silo. The suspension is stratified in the silo, the upper layer of clear water overflows to the clear water tank, and the lower layer of mud is intermittently discharged into the mud tank. After the sludge in the sludge tank is stirred evenly, it is pumped by the mud pump to the filter press for filtration, and dehydrated to form a mud cake.



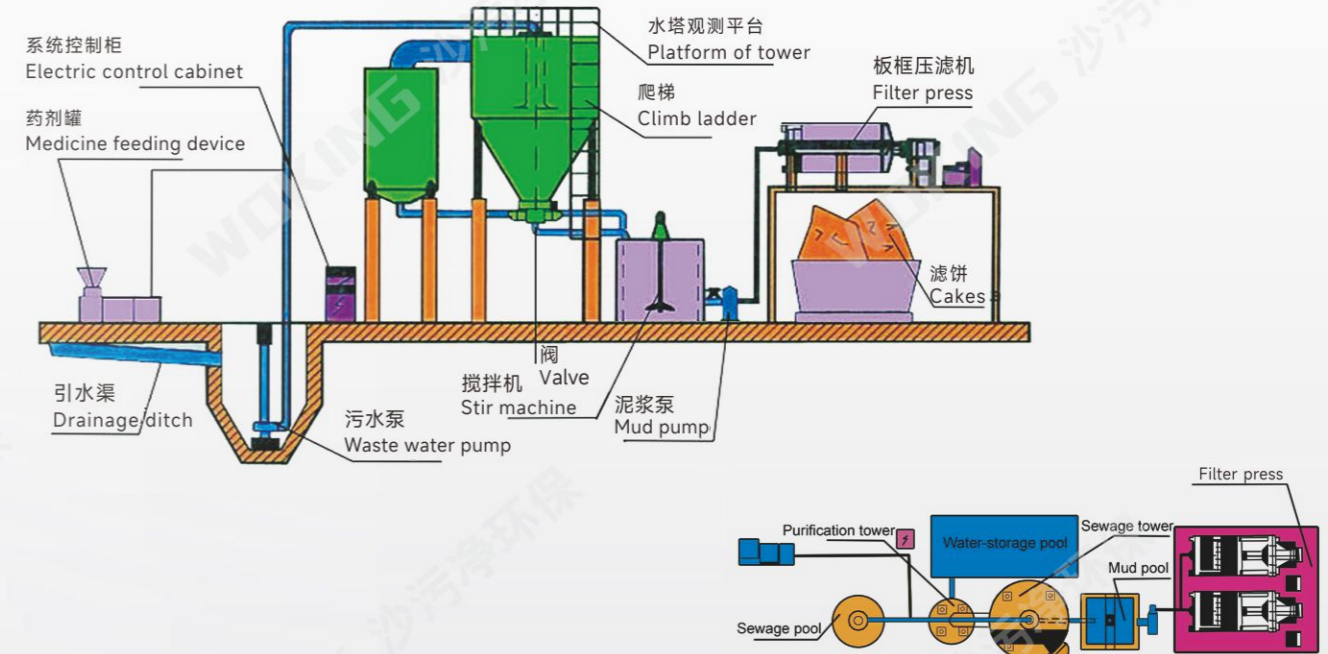
case 案例



Technology protects the environment!
科技保护环境!

工艺流程及适用范围

Process Diagram, Features And Application



The sketch of systemic shape

适用范围：陶瓷，石材，玻璃，冶金矿产，洗煤，洗沙等行业。

系统特点：占地面积小、运行场地干净整洁、安全性高、系统全自动控制、能耗小、人工成本低和净水效率高。

Applications: ceramics industry, stone industry, glass industry, mining & minerals industry, coal washing, sand washing etc.
Feature: small area required, closed system, clean & safety, lower energy cost, full automatic control system, lower labor cost and better recycling water quality.



case 案例



塔式污水处理系统

Vertical Clarifier

紧凑型污水处理系统 Compact Vertical Clarifier



紧凑型污水处理系统，是一种高效紧凑的污水净化系统，净化与干化一体设计，易于组装和操作。单元最大处理能力约为45m³/h，适合于小型的石材陶瓷深加工，磨料加工生产线等。

These plants have the main purpose to supply our customers with a complete, turn-key plant, easy to assemble and to operate. The maximum rated treatment capacity is 750 lt/min. This type of plants can be designed in accordance to the specific customers' requirements.

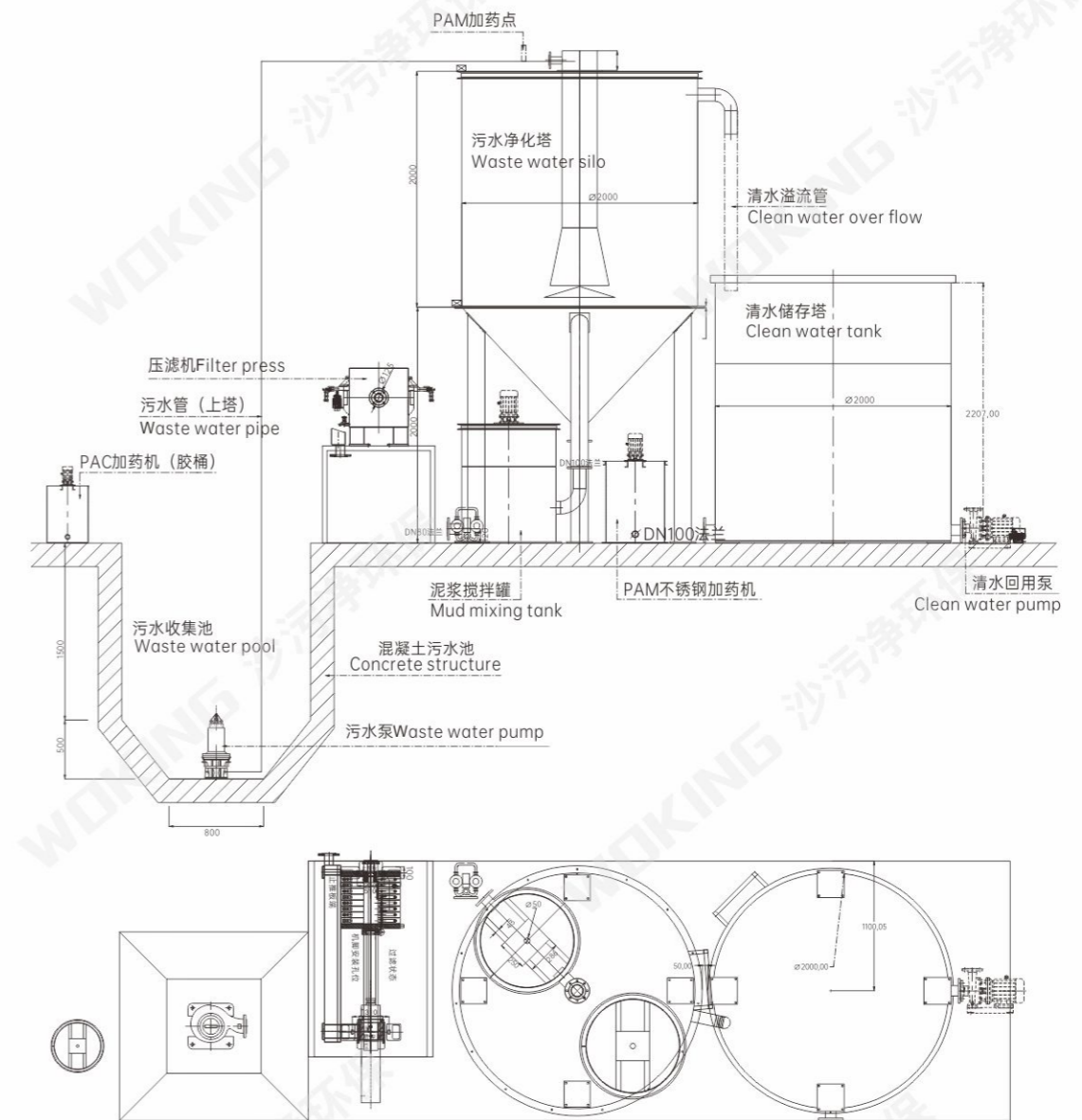


案例 case



Technology protects the environment!
科技保护环境!

结构图 Structure Diagram



技术参数 TECHNICAL PARAMETER

型号 MODEL	直径 mm DIAMETER	高度 mm HEIGHT	压滤机 FILTERPRESS
WK/1600-WTP	1600	4500	WK 500/5
WK/2000-WTP	2000	4500	WK 500/5
WK/2200-WTP	2200	4500	WK 500/6

塔式污水处理系统

Vertical Clarifier

中型塔式污水处理系统 Medium Scale Vertical Clarifier

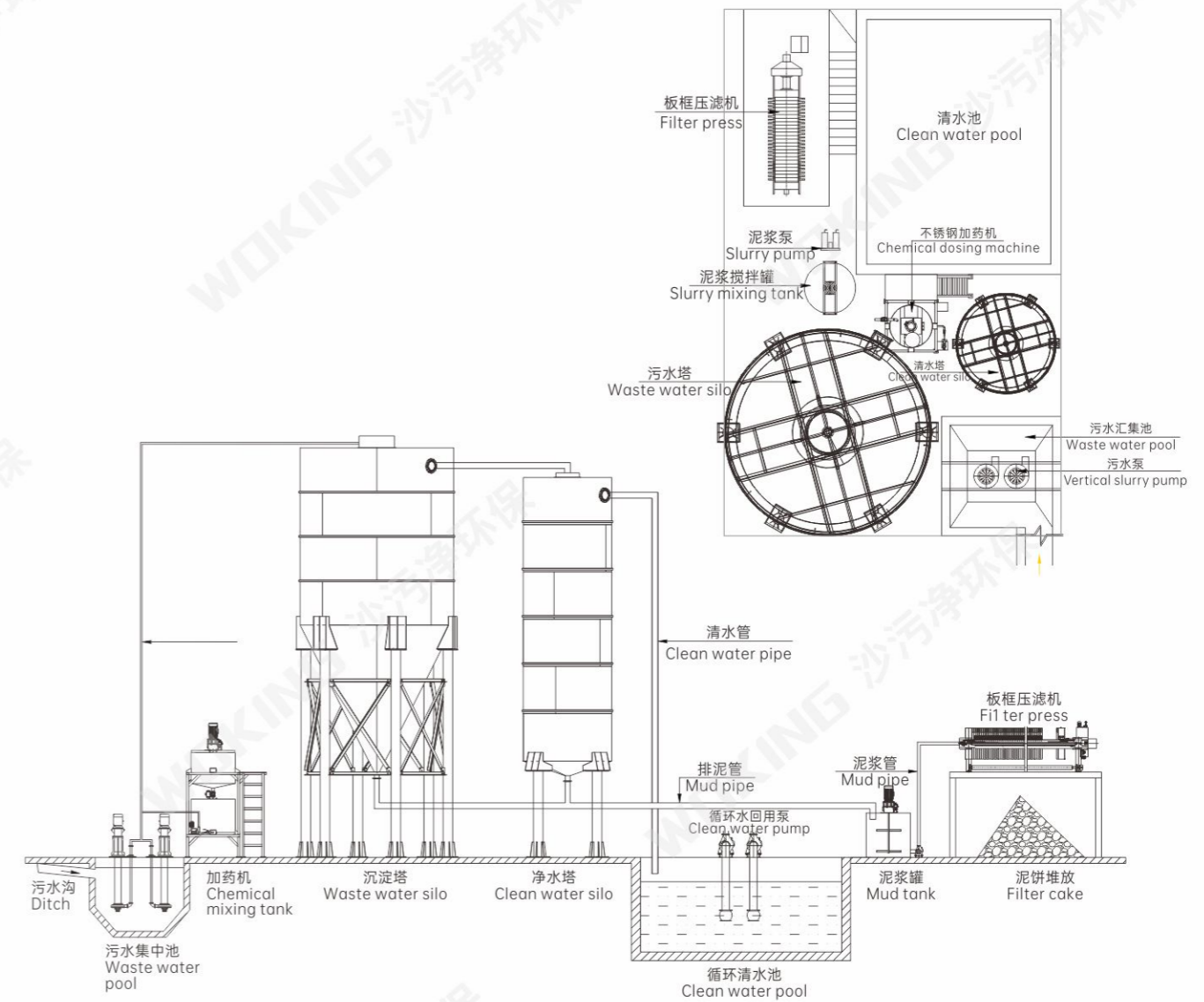


适用行业: 矿物开采, 骨料加工清洗, 隧道工程, 地基打桩工程, 天然石材加工, 人造石加工, 水磨石加工, 玻璃加工, 陶瓷生产等行业。

Applicable industries: mining industry, aggregate washing, tunnel engineering, foundation piling engineering, natural stone processing, artificial stone processing, terrazzo processing, glass processing, ceramic production and other similar industries.

Technology protects the environment!
科技保护环境!

结构图 Structure Diagram



技术参数 TECHNICAL PARAMETER

型号 MODEL	直径 mm DIAMETER	高度 mm HEIGHT	泥浆脱水设备 DEWATERING MACHINE
WTP-3000	3000	8000-15000	板框压滤机, 真空盘式机, 带式压滤机
WTP-4000	4000		CHAMBER FILTER PRESS, VACUUM DISK FILTER, BELT FILTER PRESS
WTP-5000	5000		
WTP-6000	6000		

塔式污水处理系统

Vertical Clarifier

中型塔式污水处理系统 Medium Scale Vertical Clarifier

案例 CASE

^



Technology protects the environment!
科技保护环境!

大型塔式污水处理系统 Large Scale Vertical Clarifier



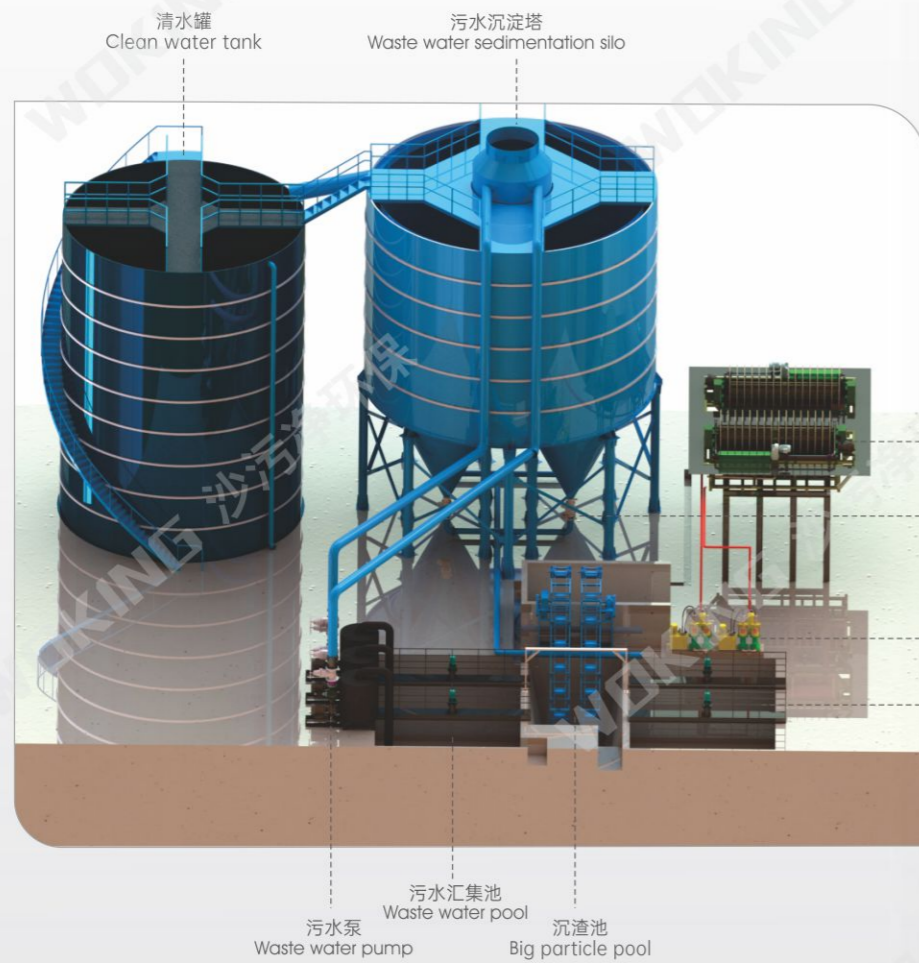
适用行业：矿业开采，骨料破碎清洗，隧道工程，地基打桩工程，天然石材加工，人造石加工，水磨石加工，玻璃加工，陶瓷生产等行业。

Applicable industries: mining, aggregates washing, tunnel engineering, foundation piling engineering, natural stone processing, artificial stone processing, terrazzo processing, glass processing, ceramic production and other similar industries.

塔式污水处理系统

Vertical Clarifier

大型塔式污水处理系统 Large Scale Vertical Clarifier



结构图
Structure diagram

污泥脱水机
(Filter press, vacuum disk filter, belt filter press)
自动排浆系统
Automatic mud outlet

污泥泵
Mud pump
污泥搅拌池
Mud mixing pool

污水泵
Waste water pump
污水汇集池
Waste water pool
沉渣池
Big particle pool

技术参数 TECHNICAL PARAMETER

型号 MODEL	直径 mm DIAMETER	高度 mm HEIGHT	泥浆脱水设备 DEWATERING MACHINE
WTP-8000	8000	8000-15000	板框压滤机, 真空盘式机, 带式压滤机
WTP-10000	10000		CHAMBER FILTER PRESS, VACUUM DISK FILTER, BELT FILTER PRESS
WTP-11000	11000		
WTP-12000	12000		

Technology protects the environment!
科技保护环境!

案例 CASE



TECHNOLOGY PROTECTS THE ENVIRONMENT!
科技保护环境!

高效浓密机

High Efficiency Thickeners

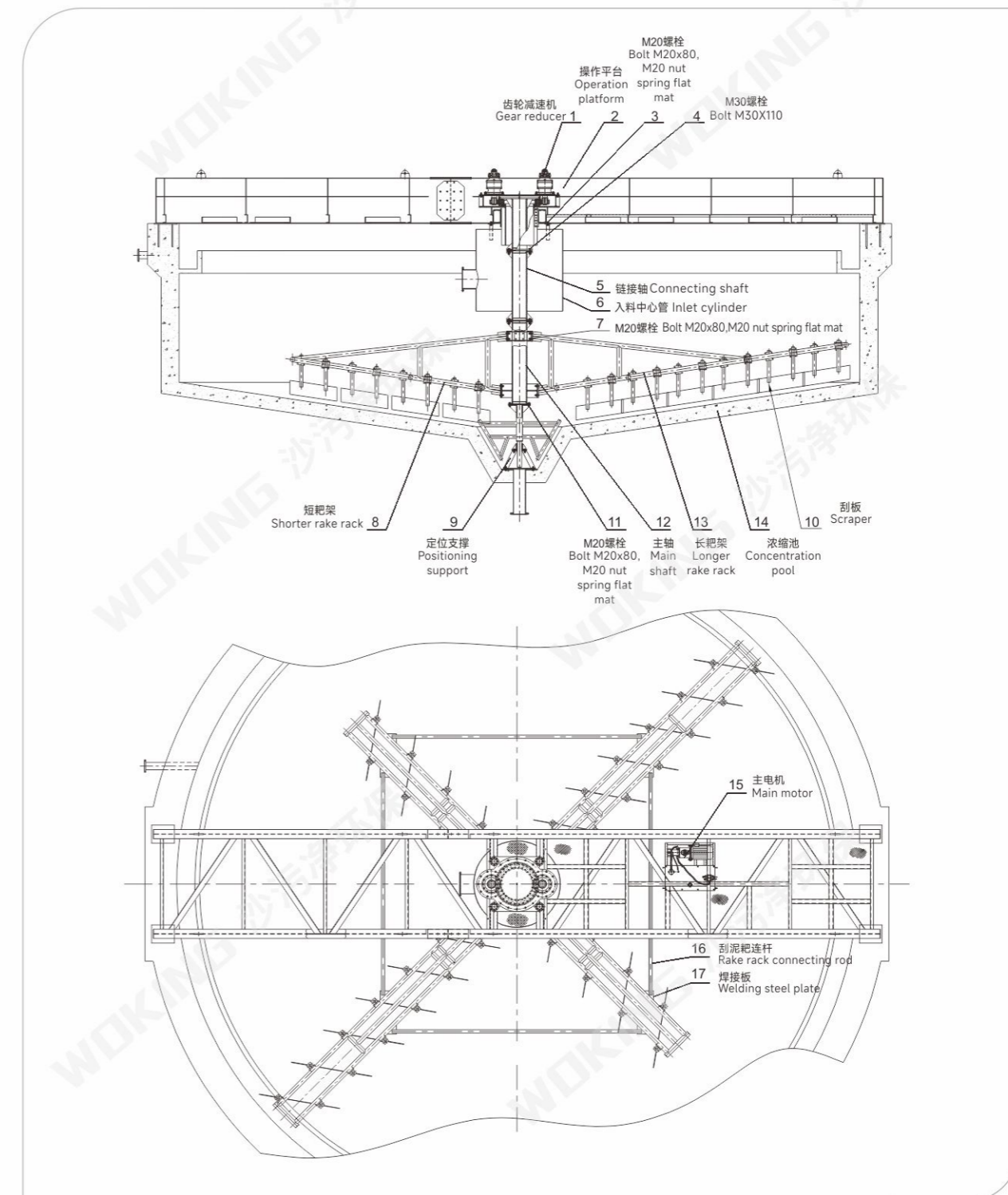
Technology protects the environment!
科技保护环境!



高效浓密机是一种自带泥浆刮板收集机构的大流量污水处理设备，最大处理量可达到2500m³/h。设备适用于采矿业及骨料破碎清洗行业。

High rate thickeners with scraping bridge (with circular or rectangular cross section) is to cope with very high waste water flow rates. This technology makes it possible to achieve a treatment capacity up 2500 m³/hour of waste water. This type of plant is mainly used in the mining sector and for the aggregates washing facilities.

结构示意图 STRUCTURE DIAGRAM

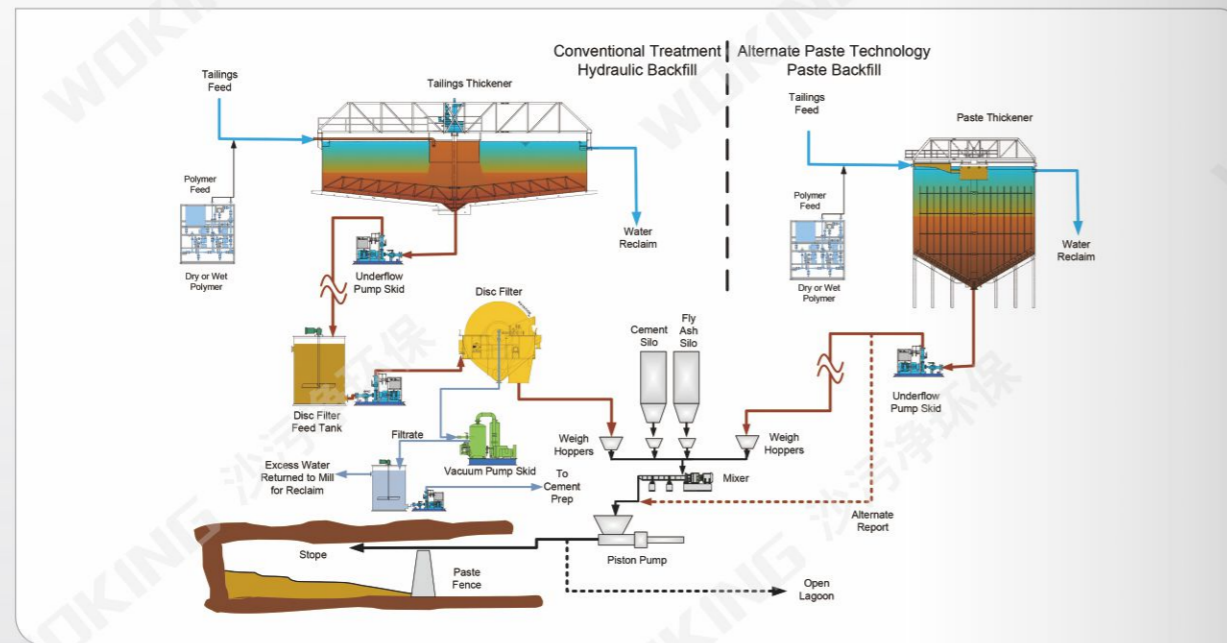


高效浓密机

High Efficiency Thickeners

Technology protects the environment!
科技保护环境!

工艺流程 PROCESS DIAGRAM



技术参数 TECHNICAL PARAMETER

型号 MODEL	池塘直径(m) DIAMETER OF POND	水池深度(m) DEPTH OF POND	沉积物面积(m ²) AREA OF SEDIMENT	耙架速度(r/min) RAKE FRAME SPEED	耙提升高度(mm) RAKE LIFTING HEIGHT	容量(t/d) CAPACITY	功率 POWER
WZY-6	6	3-3.2	28	2.5-5	350	50- 100	3
WZY-9	9	3.5-3.8	63.6	3-5	350	120- 175	3
WZY-12	12	3.5-3.8	113	4- 7	350	200 - 300	4
WZY-15	15	4-4.5	176	5- 10	450	350 - 400	5.5
WZY-18	18	4-4.5	254	8-12	450	600- 800	5.5
WZY-20	20	4-4.5	314	8-12	450	800- 1000	7.5
WZY-24	24	4.5-5.5	450	9-12	450	1000- 1300	7.5
WZY-30	30	4.5-5.5	706	10- 14	450	1500- 1800	11
WZY-38	38	6.5-8	1134	15- 22	600	1800- 2200	15
WZY-40	40	6.5-8	1256	15-22	600	2200 - 2400	15
WZY-45	45	6.5-8	1590	15-22	600	2400- 2800	15
WZY-53	53	6.5-8	2206	15- 22	600	3000 - 3500	15
WZY-60	60	7-8.5	2827	16-50	600	3500 - 5000	18.5
WZY-75	75	8- 10	4418	20 -80	800	7500- 10000	22
WZY-100	100	8- 10	7853	35- 80	800	10000- 15000	30

案例 CASE



池式系统(移动桥架)

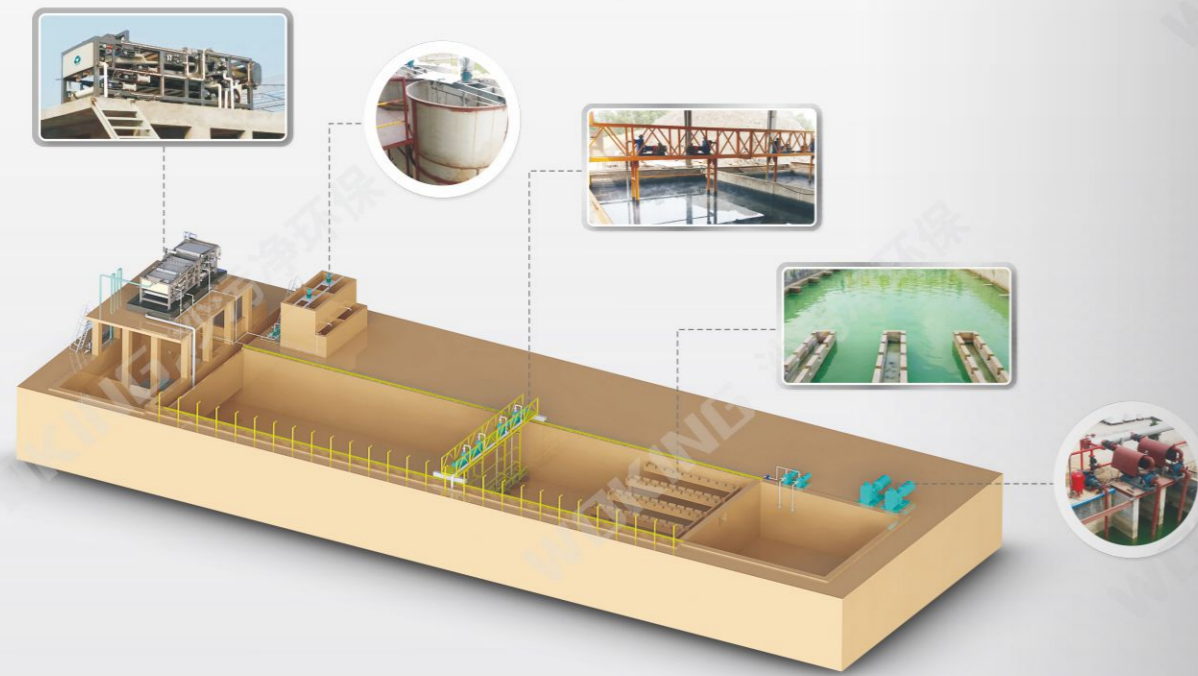
Pool System (Full Automatic Type)

适用范围：陶瓷，石材，玻璃，冶金矿产，洗煤，洗沙，造纸，食品加工，化学制药，电镀，纺织印染，皮革，市政污水等行业。

系统特点：构造简单、造价较低、系统全自动控制、人工成本低和净水效果稳定。

Applications: ceramics industry, stone industry, glass industry, mining & minerals industry, coal washing, sand washing, pulp&paper industry, food industry, chemical & pharmacy industry, electroplating industry, textile& dyeing, leather industry, municipal wastewater etc.

Feature: simple structure, lower cost, full automatic control system, lower labor cost and stable quality of recycling water.



case 案例

石英砂过滤

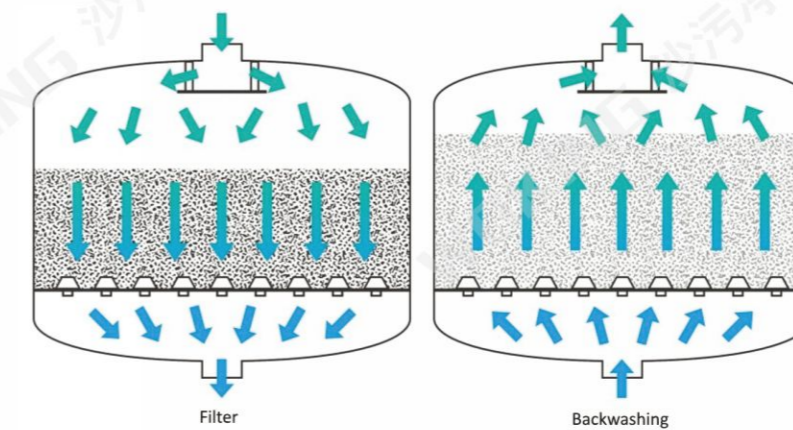
Quartz Sand Filtration



石英砂过滤器是一种过滤器滤料采用石英砂作为填料。有利于去除水中的杂质。出水水质优良，部分水质可达到5mg/L。过滤器自适应运行，在过滤时滤床自动形成上疏下密状态，有利于在各种运行条件下保证出水水质，自动反洗时滤料充分散开，清洗效果好。主要用于电力、电子、饮料、自来水、石油、化工、冶金、纺织、造纸、食品、游泳池、市政工程等各种工艺用水、生活用水、循环用水和废水的深度处置领域。

Quartz sand filter is a filter material that uses quartz sand as a filler. Helps remove impurities in water. The effluent water quality is excellent, and some water quality can reach 5mg/L. The filter operates adaptively, and the filter bed automatically forms an upper sparse and lower dense state during filtration, which is conducive to ensuring the quality of the effluent water under various operating conditions. The filter material is fully dispersed during automatic backwashing, and the cleaning effect is good. It is mainly used in the field of advanced treatment of various process water, domestic water, recycled water and wastewater such as electric power, electronics, beverage, tap water, petroleum, chemical industry, metallurgy, textile, papermaking, food, swimming pool, municipal engineering, etc.

原理图 SCHEMATIC DIAGRAM



石英砂过滤

Quartz Sand Filtration

技术参数 TECHNICAL PARAMETER

型号 MODEL	QSF03-6	QSF03-10	QSF03-20
尺寸 Size	2500*1200*2560mm (长*宽*高)	3310*1500*2500mm (长*宽*高)	根据现场需求约10平方
净重量 Net weight	约2000KG	约4吨	约10吨
总重量 Total weight	约6000KG (运行时)	约8吨(运行时)	约20吨(运行时)
操作 Operation	全自动PLC	全自动PLC	全自动PLC
运行功率 Operating power	0.5KW	0.5KW	0.5KW
冲洗功率 Flushing power	2.2KW	3KW	4.5KW
进水浊度 Influent turbidity	≤200	≤200	≤200
出水浊度 Effluent turbidity	≤20	≤20	≤20
电压 Voltage	380V	380V	380V
过滤精度 Filtering precision	3-5微米	3-5微米	3-5微米
SS含量 SS content	≤15%	≤15%	≤15%
去除率 Removal rate	≥85%	≥85%	≥85%
设计流量 Design flow	4-6T/H (根据实际情况略有偏差)	4-10T/H (根据实际情况略有偏差)	20-25T/H (根据实际情况略有偏差)
反洗强度 Backwash strength	4-15L/s. m ²	4-15L/s. m ²	4-15L/s. m ²
过滤速度 Filtering speed	15-20m/h	15-20m/h	15-20m/h
过滤流速 Filtration flow rate	8m/h- 12m/h	8m/h- 12m/h	8m/h- 12m/h



案例 case

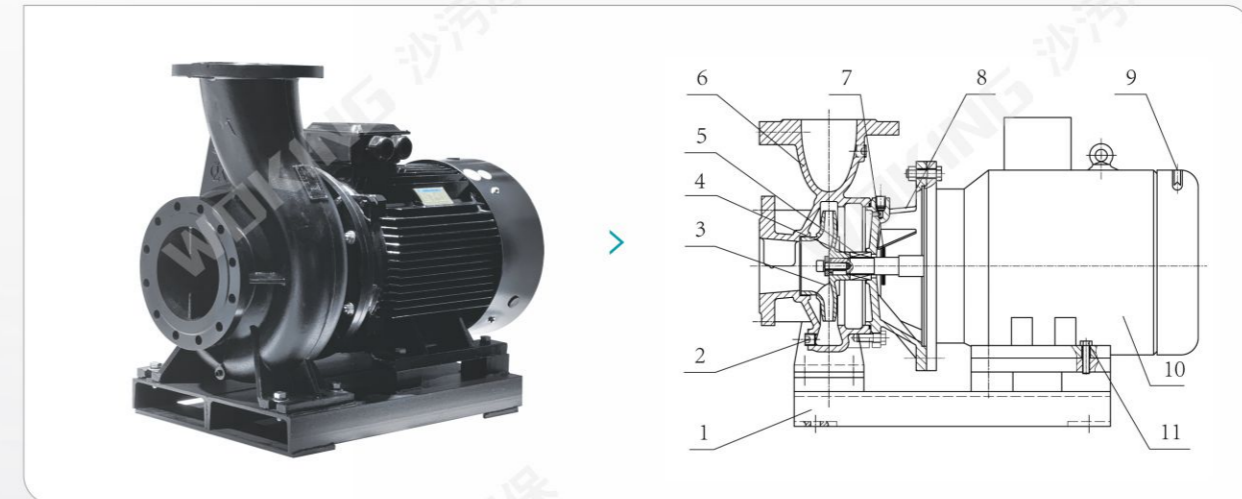


辅机系列

Auxiliary Machine Series

卧式离心泵

Horizontal Centrifugal Pump



序号 (NO.)	1	2	3	4	5	6	7	8	9	10	11
数量 QUANTITY	1	3	1	1	1	1	1	1	1	1	8
名称 NAME	底座 Bedplate	螺塞 Screwed plug	叶轮 Impeller	不锈钢轴套 Shaft sleeve	机械密封 Mechanical seal	泵体 Pump body	挡水圈 Deflector	泵盖 Pump Cover	转向牌 Change direction plate	电动机 Motor	螺栓 Bolt

技术参数 TECHNICAL PARAMETER

型号 MODEL	流量 (m ³ /h) FLOW	扬程 (m) LIFT	功率 (kw) POWER
300KQW720-32-90/4	720	32	90
300KQW660-28-75/4	660	28	75
300KQW900-28-90/4	900	28	90
250KQW500-25-45/4	500	25	45
200KQW360-28-37/4	360	28	37
250KQW550-32-75/4	550	32	75
250KQW500-28-55/4	500	28	55
200KQW245-24-22/4	245	24	22
200KQW280-28-30/4	280	28	30
250KQW500-28-55/4	550	25	55

立式渣浆泵
Vertical Pump

TZJL型液下泵是立式单级单吸离心泵，该系列泵为半开式叶轮，在叶轮吸入边设有搅拌叶片，起到防堵塞、防沉积功能，防止固体颗粒沉降在池底而无法抽送。

TZJL submerged pump is a vertical single-stage single-suction centrifugal pump. This series of pumps is a semi-open impeller, with a stirring blade at the suction side of the impeller, which plays the role of anti-blocking and anti-sedimentation to prevent solid particles from settling at the bottom of the tank and cannot be pumped.

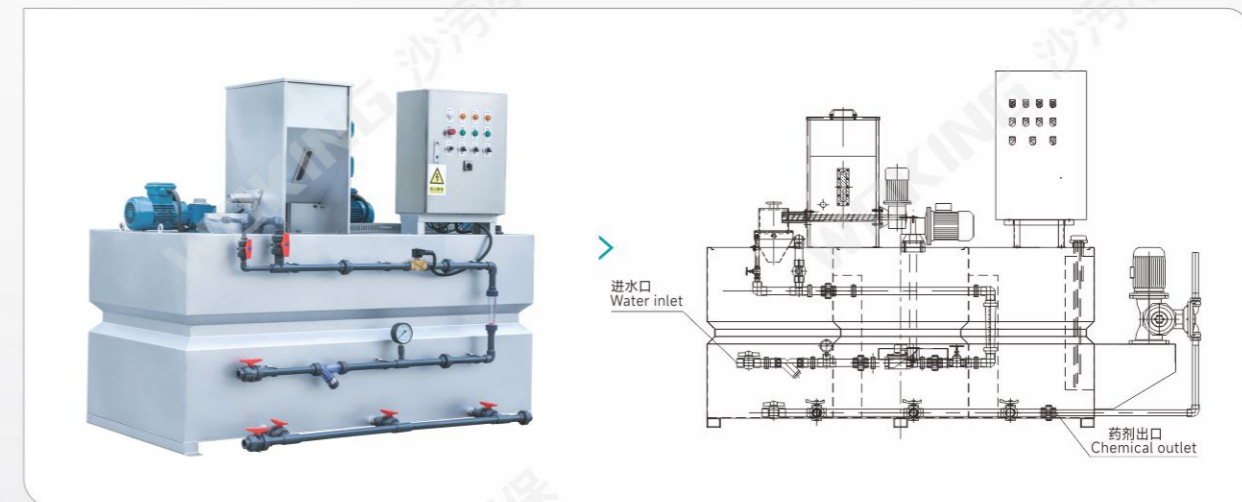
- ① 蜗壳 Pump casing
- ② 叶轮 Impeller
- ③ 进口 Inlet
- ④ 轴 Shaft
- ⑤ 轴承组件 Bearing parts
- ⑥ 安装板 Bracket
- ⑦ 出水管 Outlet pipe
- ⑧ 电机安装口 Motor joint
- ⑨ 轴承组件 Bearing parts



技术参数 TECHNICAL PARAMETER

型号 MODEL	扬程(m) LIFT	流量 (m ³ /h) FLOW	电机(kw) ELECTRIC MACHINERY
150-360	33	250	4-55kw
100-350	25	(100)120	4-22kw
150-340	25	250	4-45kw
150-360	25	300	4-55kw
150-380	25	350	4-75kw
150-350	22	300	4-45kw
100-360	28	180	4-45kw
100-300	28	60	4-22kw
100-300	30	80	4-30kw
80-300	20	90	4-18.5kw
200-360	25	410	4-75kw

自动加药机
Automatic Dosing Machine



集配料、溶解、投加于一体，全自动运行，干投机和加热装置的巧妙设计可减少结块现象；投加量、进水量均可调整，可任意制备所需浓度的药液，当粉末达到低位时发出报警信号；

可选：真空上料机、在线稀释系统 槽体材质可选：不锈钢304或316L，聚丙烯PP，玻璃钢FRP等

Dosing, dissolving and feeding function are integrated, full automatic operation. Well designed dosing and heating device can reduce polymer caking; Polymer and water inleting are adjustable. All concentration of the liquid can be reached according to your needs. The machine will remind to add polymer when the polymer reaches low level; Optional: Vacuum feeding machine, Online dilution system; Tank material: SS304 or SS316L, Polypropylene, FRP, etc.

技术参数 TECHNICAL PARAMETER

项目 ITEM	型号 MODEL	MYTH 500	MYTH 1000	MYTH 1500	MYTH 2000	MYTH 2500	MYTH 3000	MYTH 4000
	制备能力 Capacity(L/h)	熟化时间一个小时 Cuing for an hour	500	1000	1500	2000	2500	3000
整机功率 Power(kw)		1.7	2.45	2.45	2.45	3.5	3.9	3.9
PAM干粉投加量 PAM dosage(kg/h)		1~5	2~10	2~10	3~15	3~15	3.5~20	3.5~20
进水量 Water inlet (m ³ /h)		0.3~1.5	0.6~3	0.9~4	1.2~6	1.6~8	2.0~10	2.4~12
外观参考尺寸 Reference dimension (mm)	L	1370	2000	2130	2200	2400	2400	2720
	B	680	1000	1070	1200	1200	1300	1400
	H	1500	1710	1710	1900	2140	2180	2250
	L1	1300	1930	2060	2130	2330	2330	2650
	B1	730	1050	1120	1250	1250	1350	1450
	加药口 Power feeder DN		DN25	DN32	DN32	DN32	DN40	DN40
进水口 Water inlet DN1		DN25	DN32	DN32	DN32	DN40	DN50	DN50
溢流口 Overflow port DN2		DN32	DN40	DN40	DN40	DN40	DN40	DN40
放空口 Vent port DN3		DN25	DN32	DN32	DN32	DN40	DN40	DN40
设备净重 N.W. (kg)		250	400	490	550	650	700	770